

## Kid & Cargo Carrier™ Weather Liner Model #AC809

### **WARNING!**

- Read all safety warnings and instructions before using the product. Failure to follow warnings and instructions may result in serious injury or death.
- You must also reference the owner's manual that was shipped with your Flyer™ eBike before using this accessory:



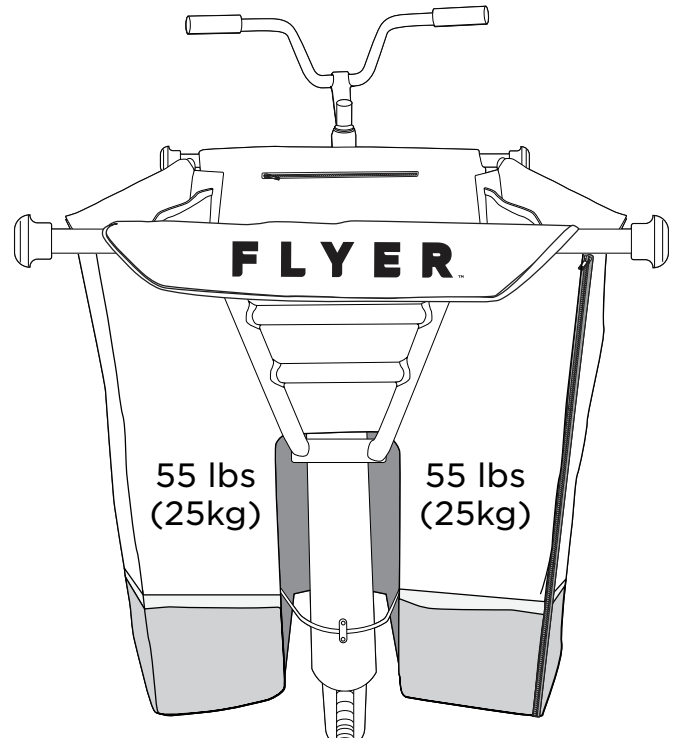
- Incorrect assembly, maintenance, or use of your Flyer™ accessory can cause component failure, loss of control, serious injury, or death. Please note, the assembly of Flyer™ accessories require special tools and mechanical skills. It is highly recommended that the assembly and adjustment are completed by a reputable bicycle mechanic when possible.
- Only for use with the Flyer™ eBike.
- Adding load to accessories or add-on mounting features may lessen the stability or alter the riding characteristics of the bicycle.
- Maximum Load Capacity: 150lbs
- Rider and children should always wear helmets that have been approved to nationally recognized standards.
- Only carry children ages 5-10 years
- Step off of the bike and put the bike on its kickstand before assembling, adjusting or interacting with accessories.
- Never leave children unattended inside the carrier.
- The Kid & Cargo™ Carrier Weather Liner is only intended to be used with compatible Flyer™ 2-Kid Cargo Carrier Hoops

## CALCULATING PAYLOAD

Check your Flyer eBike's max payload rating in the Owners Manual. Payload is the weight of everything the bike is carrying (not including the weight of the bike itself)

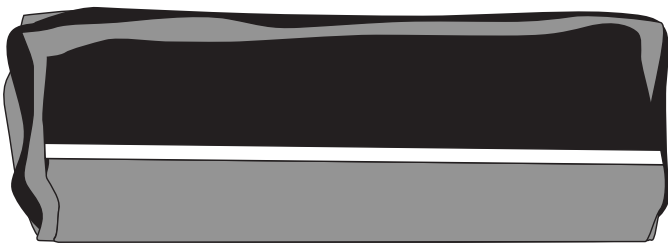
$$\text{Payload} = \text{Rider} + \text{Passengers} + \text{Accessories} + \text{Cargo}$$

When carrying load in the footwells of the Kid & Cargo Weatherliner, the weight on the left and right sides should be roughly equal. Do not exceed 55lbs (25kg) per footwell.



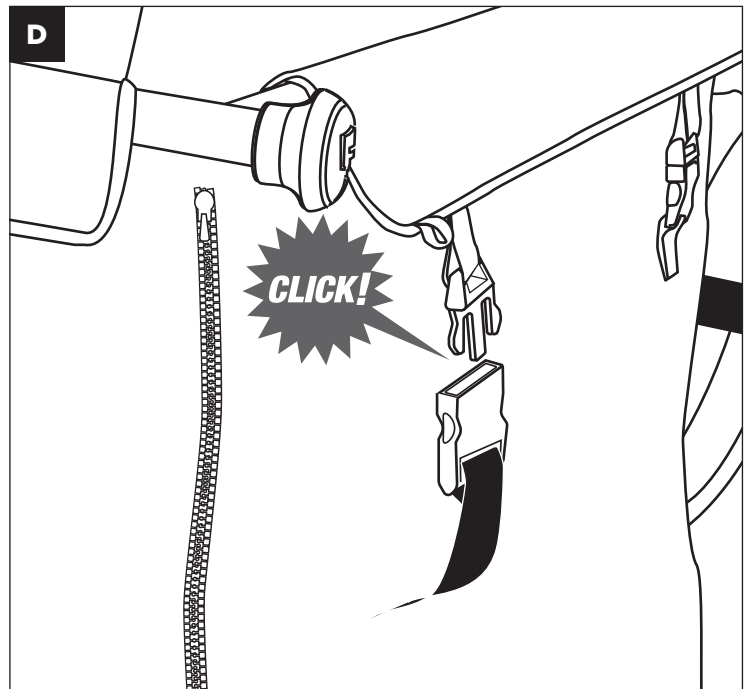
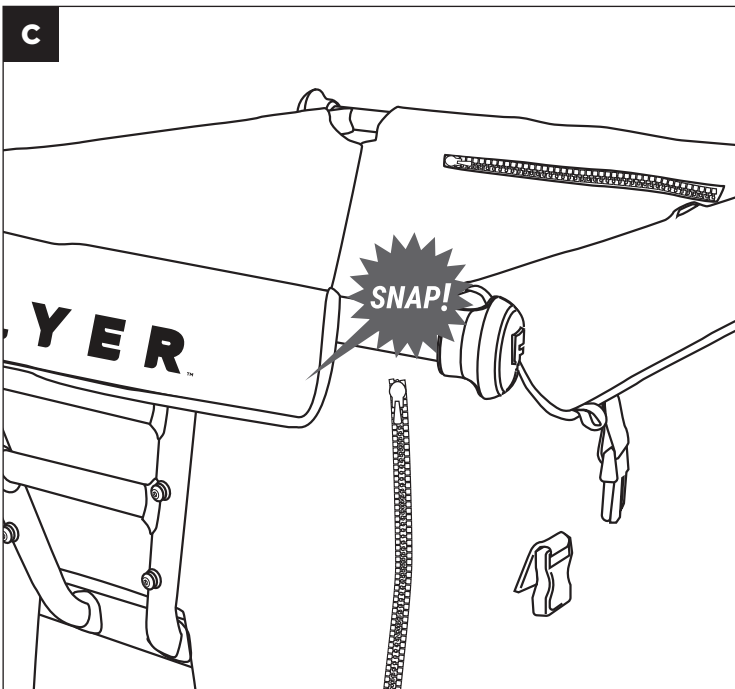
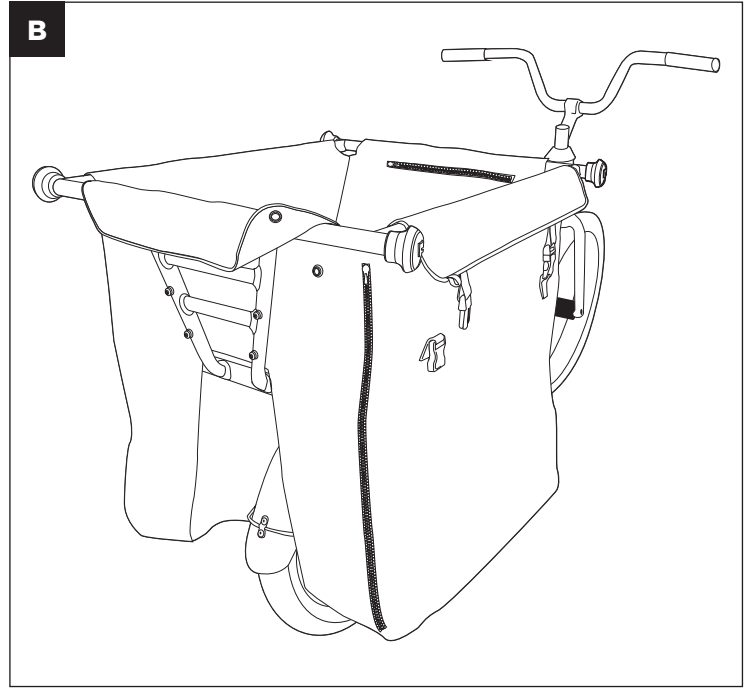
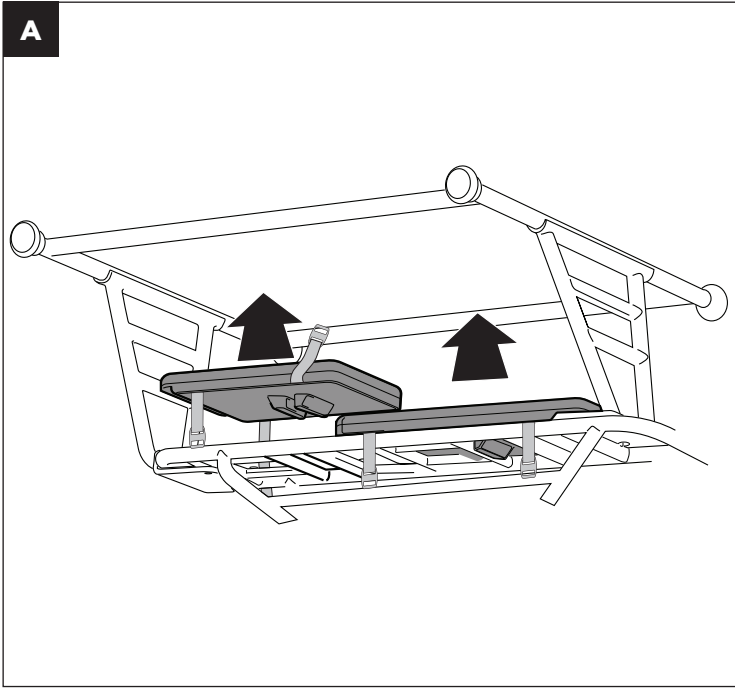
## PARTS

1X Fabric Liner



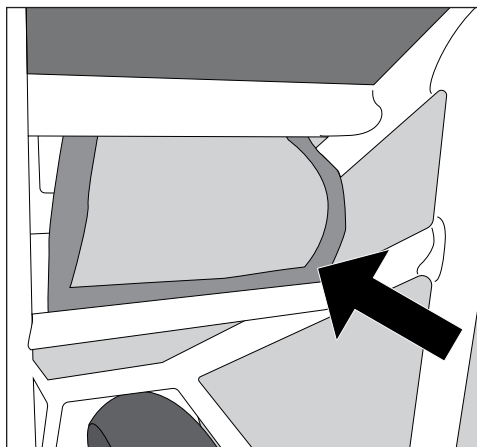
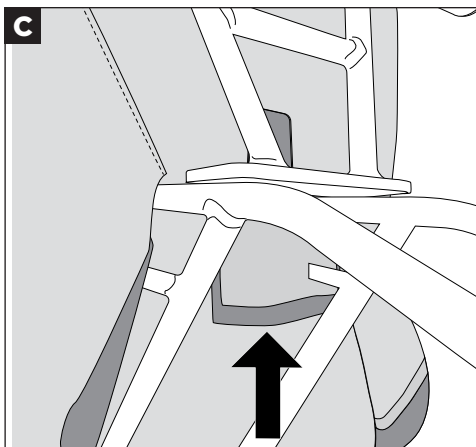
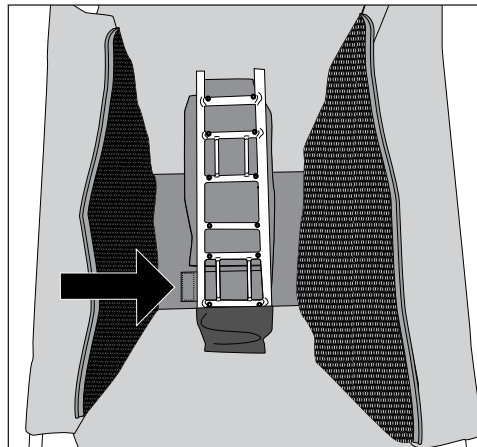
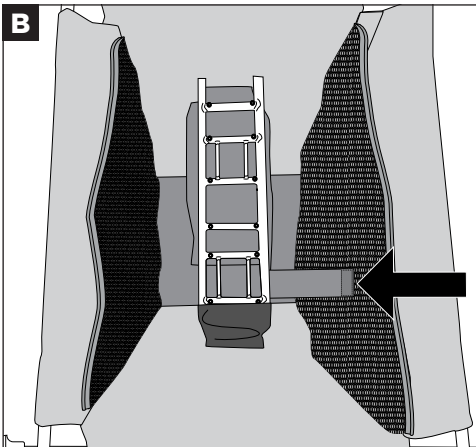
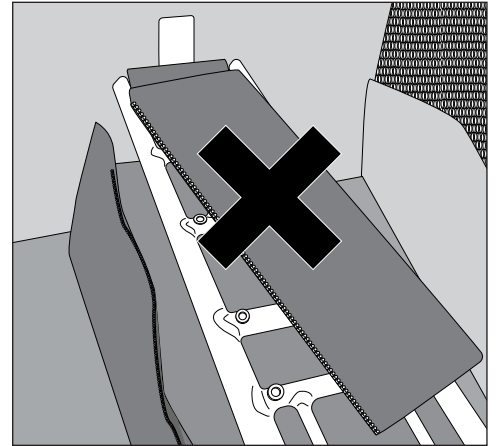
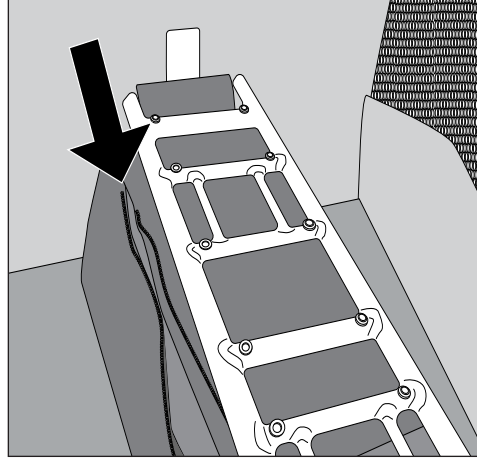
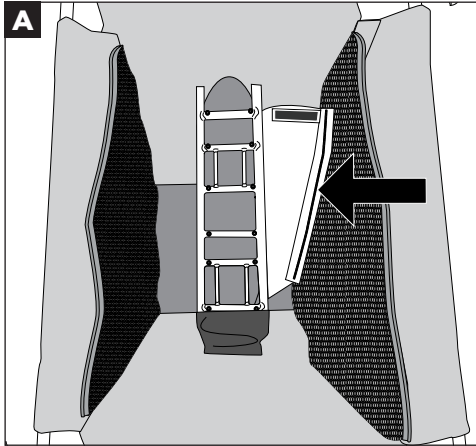
## Installing the Fabric Liner

- A. If you previously assembled the padded seat pads onto your Kid & Cargo™ Carrier Hoop -2 Kids, remove them now before proceeding with the assembly of the fabric liner.
- B. Place the fabric liner into the hoop frame with the “Flyer™” logo facing backwards.
- C. Snap down the front and rear flaps.
- D. Drape the sides over the hoop and click the 2 buckles on each side in place.



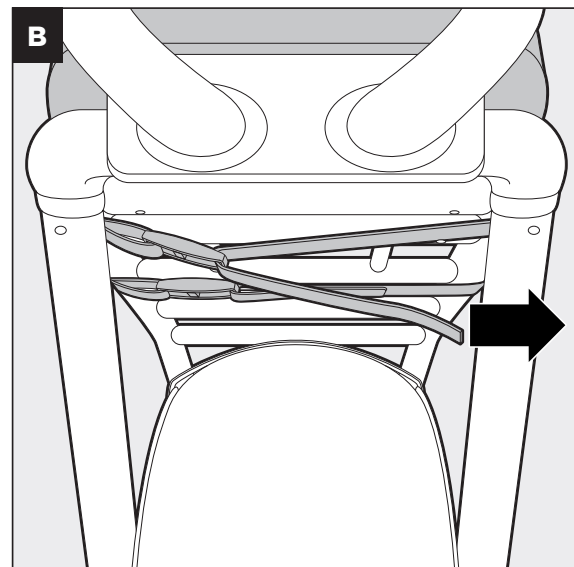
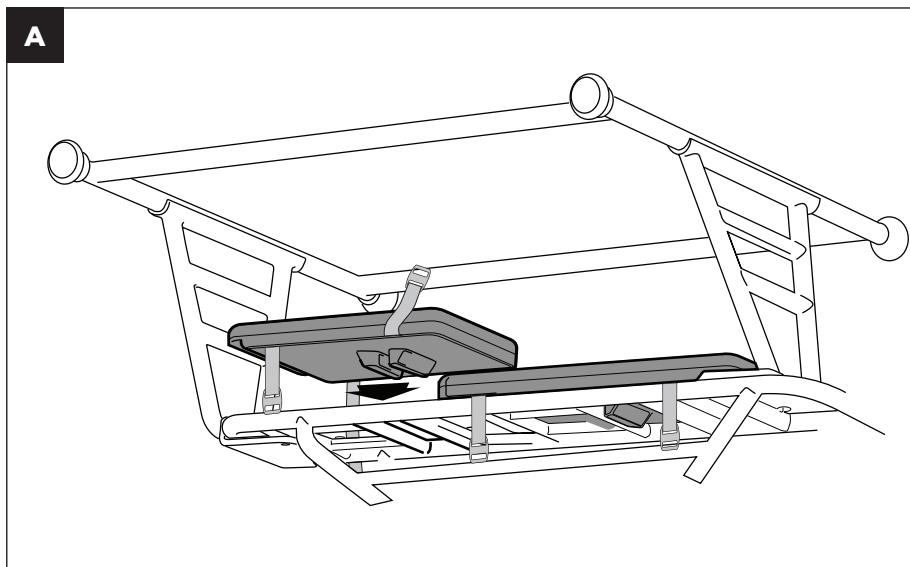
## Installing the Fabric Liner (Continued)

- A. Locate the center interior flap which has the zipper along one edge. Pass this flap beneath the top rack bars, but above pannier storage rails. Connect to the zipper located at the front interior of the liner; and zip it up.
- B. Locate the rear interior flap which has Velcro on one side. Pass this flap beneath the rack and attach it to the Velcro on the opposite side of the liner.
- C. Locate the front exterior Velcro flap and attach it to the bottom side of the center interior flap.



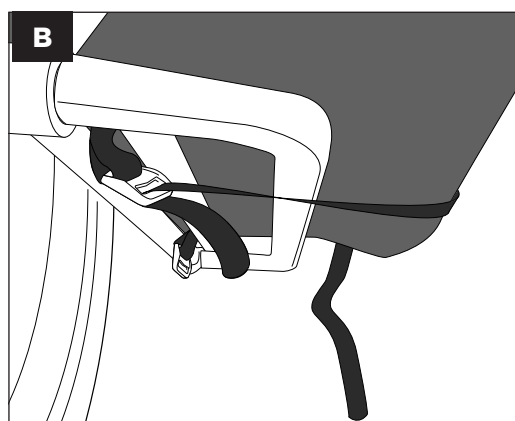
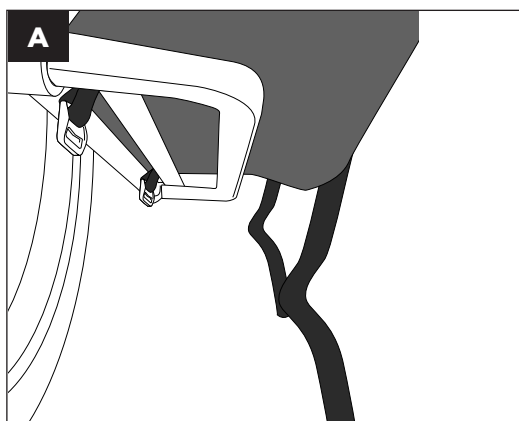
## Installing Padded Seats

- A. Place the long seat pad in the front position on the rear rack and the short seat pad in the rear position on the rack. Make sure all the straps hang down outside of the rear rack. The raised features on the bottom side of the rack should align with the horizontal bars as shown in the graphic.
- B. Loop the long Velcro strap in between the opposing D-ring under the rack. Secure the seat pad in place by pulling firmly on the Velcro strap and adhering it to itself. If properly tightened, the seat pad should not shift when jostled.



## Securing the Fabric Footwells

- A. Feed the buckle through the space between the plastic footboard and metal frame.
- B. Secure the four Velcro straps to the footboards by looping the Velcro between the opposing D-rings and adhering to itself. Do not overtighten the Velcro straps as it may deform the fabric footwells.



## Utilizing the Side Door

A. Undo the zipper and slide the door forward along the rails.

B Once kids are loaded, re-zip the side and ensure door is fully closed before moving the eBike.

